

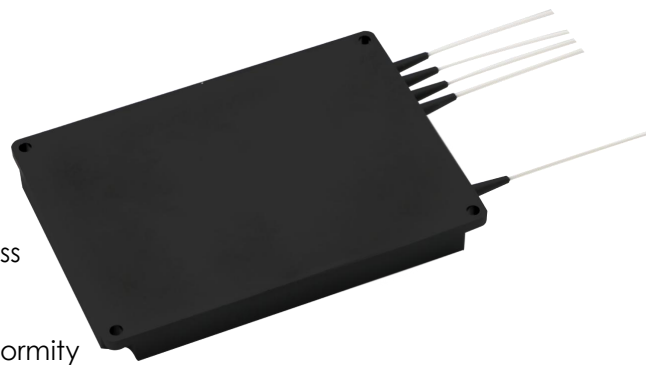
ABS Box CWDM Mux DeMux 1270nm to 1610nm, 2-18CH

Description

The GrowsFiber ABS Box CWDM Mux DeMux is designed for multi-wavelength CWDM network applications. It is based on TFF technology and operates at 20nm channel spacing ITU Grid CWDM wavelengths from 1270nm to 1610nm. The Mux Type, Port Configuration (2-18CH Ports, 1310nm Port, Upgrade Port, Monitoring Port), Box Size, Fiber Type, Fiber Length, and Connector Type can be customized.

Features

- Low insertion loss
- High isolation
- Low polarization dependent loss
- Compact design
- Good channel-to-channel uniformity
- Wide operating wavelength range
- High reliability and high stability
- Telcordia GR-1209-CORE-2001 compliant
- Telcordia GR-1221-CORE-1999 compliant
- ITU-T G.694.2 compliant
- RoHS compliant



Applications

- Data Center Interconnect Network
- Metro Optical Transport Network
- Telecommunications Network

ABS Box CWDM Mux DeMux 1270nm to 1610nm, 2-18CH

Specifications

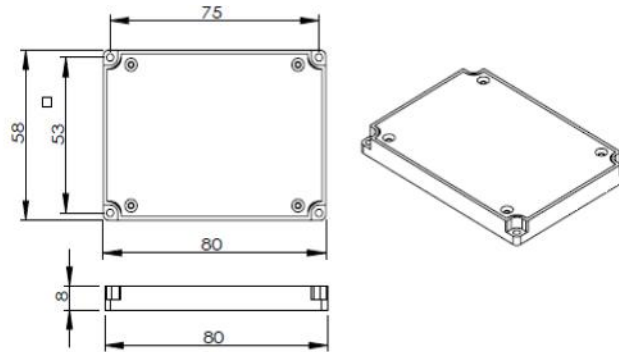
Parameters	Channel Options				
	2CH	4CH	8CH	16CH	18CH
Port Configuration	2CH	4CH	8CH	16CH	18CH
Center Wavelength (nm)	1270 to 1610				
Operating Wavelength (nm)	1260 to 1620				
Channel Space (nm)	20				
Channel Passband @0.5dB (nm)	ITU±6.5				
Channels IL (dB)	< 1.2	< 1.8	< 3.0	< 3.4	< 3.7
Link IL (Mux+Demux) (dB)	< 2.1	< 2.7	< 3.9	< 4.6	< 5.3
Adjacent Channels Isolation (dB)	> 30				
Non-Adjacent Isolation (dB)	> 45				
Directivity (dB)	> 50				
Return Loss (dB)	> 45				
Ripple (dB)	< 0.5				
PDL (dB)	< 0.2				
PMD (ps)	< 0.1				
Maximum Optical Power (mw)	300				
Operating Temperature (°C)	-5 to +75				
Storage Temperature (°C)	-40 to +85				
Package (mm) (L×W×H)	80×58×8, 100×80×10, 120×80×18, 140×115×18				

Notes: All specifications are based on the devices with connectors, and guaranteed over wavelength and temperature. Fiber type is G657A.

ABS Box CWDM Mux DeMux 1270nm to 1610nm, 2-18CH

Mechanical Dimensions

Example:



Ordering Information

Part Number	Description
GFCWA2	ABS Box CWDM, 2CH
GFCWA4	ABS Box CWDM, 4CH
GFCWA8	ABS Box CWDM, 8CH
GFCWA16	ABS Box CWDM, 16CH
GFCWA18	ABS Box CWDM, 18CH

Note: If there is a demand for orders that are different from those described above, please contact GrowsFiber. Customized options are shown as following:

Mux Type	Mux, DeMux, Mux & DeMux
CWDM Channel Ports	1270nm to 1610nm (20nm Spacing)
Additional Ports	None, 1310nm Port, Upgrade Port, Monitoring Port
Box Size	80×58×8, 100×80×10, 120×80×18, 140×115×18
Fiber Type	None, 250um bare fiber, 0.9mm loose tube, 2.0mm loose tube
Fiber Length	1.0m, 1.5m, 2.0m, 2.5m, ...
Connector Type	None, LC/UPC, LC/APC, SC/UPC, SC/APC, FC/UPC, FC/APC