

# 2-9CH CCWDM

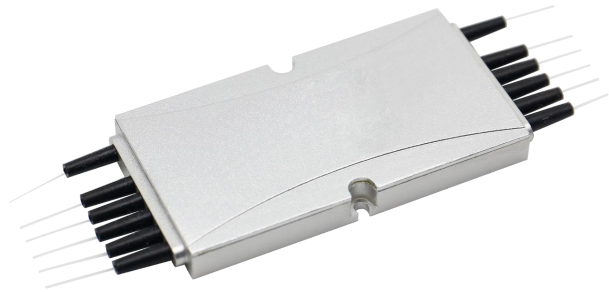
## 1270nm to 1610nm

### Description

The GrowsFiber 2-9CH CCWDM is designed for multi-wavelength CWDM network applications. It is based on TFF technology and free-space technology platform. It operates at 2-9 channels 20nm channel spacing ITU Grid CWDM wavelengths from 1270nm to 1610nm. The Mux Type, Port Configuration (2-9CH Ports, 1310nm Port, Upgrade Port), Fiber Type, Fiber Length, and Connector Type can be customized.

### Features

- Low insertion loss
- High isolation
- Low polarization dependent loss
- Super compact design
- Good channel-to-channel uniformity
- Wide operating wavelength range
- High reliability and high stability
- Telcordia GR-1209-CORE-2001 compliant
- Telcordia GR-1221-CORE-1999 compliant
- ITU-T G.694.2 compliant
- RoHS compliant



### Applications

- Data Center Interconnect Network
- Metro Optical Transport Network
- Telecommunications Network

# 2-9CH CCWDM

## 1270nm to 1610nm

### Specifications

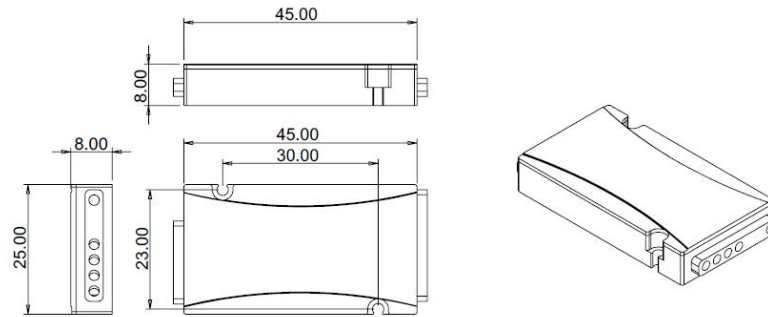
Parameters	CCWDM	
Port Configuration	4CH	8CH
Center Wavelength (nm)	1270 to 1610	
Operating Wavelength (nm)	1260 to 1620	
Channel Space (nm)	20	
Channel Passband @0.5dB (nm)	ITU±6.5	
Channels Insertion Loss (dB)[2]	< 1.2	< 1.5
Adjacent Channels Isolation (dB)	> 30	
Non-Adjacent Isolation (dB)	> 40	
Directivity (dB)	> 50	
Return Loss (dB)	> 45	
Ripple (dB)	< 0.4	
Polarization Dependent Loss (dB)	< 0.2	
Polarization Mode Dispersion (ps)	< 0.1	
Maximum Optical Power (mw)	300	
Operating Temperature (°C)	-5 to +75	
Storage Temperature (°C)	-40 to +85	
Package (mm) (L×W×H)	45×25×8	

**Notes:** All specifications are based on the devices with connectors, and guaranteed over wavelength and temperature. Fiber type is G657A1.

# 2-9CH CCWDM

## 1270nm to 1610nm

### Mechanical Dimensions



### Ordering Information

Part Number	Description
GFCC2	2CH CCWDM
GFCC3	3CH CCWDM
GFCC4	4CH CCWDM
GFCC5	5CH CCWDM
GFCC6	6CH CCWDM
GFCC7	7CH CCWDM
GFCC8	8CH CCWDM
GFCC9	9CH CCWDM

**Note:** If there is a demand for orders that are different from those described above, please contact GrowsFiber. Customized options are shown as following:

Mux Type	Mux, DeMux
CWDM Channel Ports	1270nm to 1610nm (20nm Spacing)
Additional Ports	None, 1310nm Port, Upgrade Port
Fiber Type	None, 250um bare fiber, 0.9mm loose tube, 2.0mm loose tube
Fiber Length	1.0m, 1.5m, 2.0m, 2.5m, ...
Connector Type	None, LC/UPC, LC/APC, SC/UPC, SC/APC, FC/UPC, FC/APC