

Mini 4CH CCWDM 1270nm to 1610nm

Description

The GrowsFiber Mini 4CH CCWDM is designed for multi-wavelength CWDM network applications. It is based on TFF technology and free-space technology platform. It operates at 4 channels 20nm channel spacing ITU Grid CWDM wavelengths from 1270nm to 1610nm. The Mux Type, Port Configuration (4CH Ports, 1310nm Port, Upgrade Port), Fiber Type, Fiber Length, and Connector Type can be customized.

Features

- Low insertion loss
- High isolation
- Low polarization dependent loss
- Super compact design
- Good channel-to-channel uniformity
- Wide operating wavelength range
- High reliability and high stability
- Telcordia GR-1209-CORE-2001 compliant
- Telcordia GR-1221-CORE-1999 compliant
- ITU-T G.694.2 compliant
- RoHS compliant



Applications

- Data Center Interconnect Network
- Metro Optical Transport Network
- Telecommunications Network

Mini 4CH CCWDM

1270nm to 1610nm

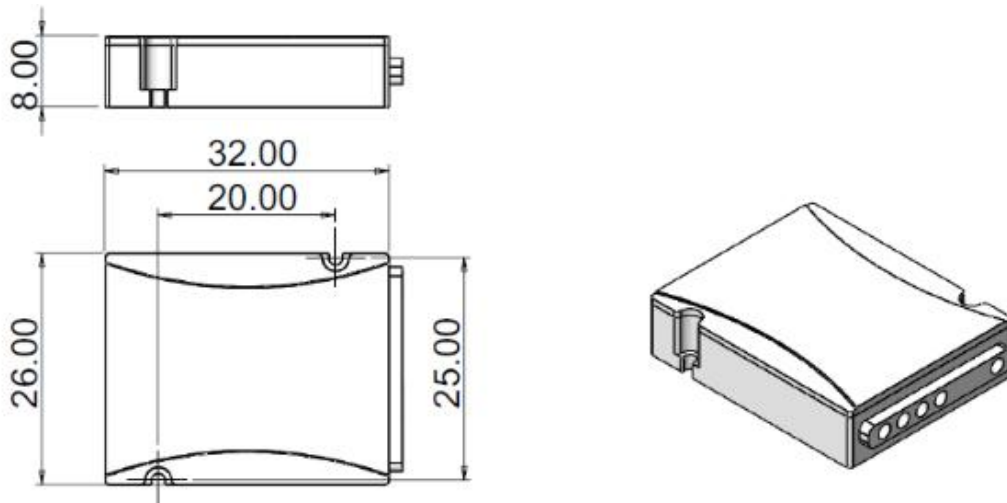
Specifications

Parameters	Mini 4CH CCWDM
Center Wavelength (nm)	1270 to 1610
Operating Wavelength (nm)	1260 to 1620
Channel Space (nm)	20
Channel Passband @0.5dB (nm)	ITU±6.5
Channel Insertion Loss (dB)[2]	< 1.5
Adjacent Channels Isolation (dB)	> 30
Non-Adjacent Isolation (dB)	> 40
Directivity (dB)	> 50
Return Loss (dB)	> 45
Ripple (dB)	< 0.3
Polarization Dependent Loss (dB)	< 0.2
Polarization Mode Dispersion (ps)	< 0.1
Maximum Optical Power (mw)	300
Operating Temperature (°C)	-5 to +75
Storage Temperature (°C)	-40 to +85
Package (mm) (L×W×H)	32×26×8

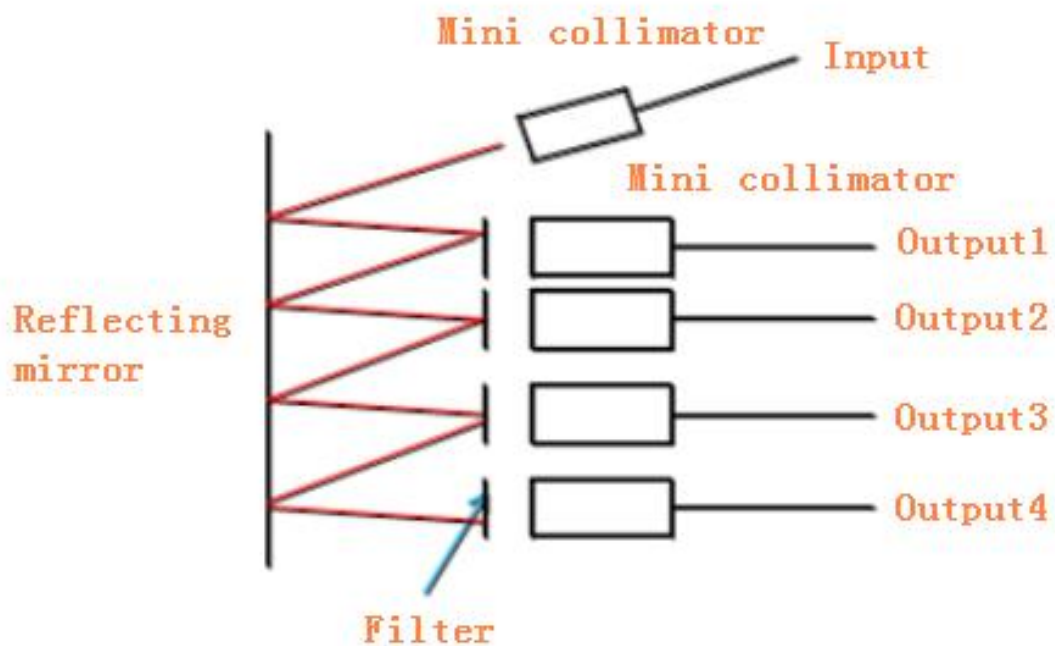
Notes: All specifications are based on the devices with connectors, and guaranteed over wavelength and temperature. Fiber type is G657A1.

Mini 4CH CCWDM 1270nm to 1610nm

Mechanical Dimensions



Structure Diagram



Mini 4CH CCWDM 1270nm to 1610nm

Ordering Information

Part Number	Description
GMCC4	Mini 4CH CCWDM

Note: If there is a demand for orders that are different from those described above, please contact GrowsFiber. Customized options are shown as following:

Mux Type	Mux, DeMux
CWDM Channel Ports	1270nm to 1610nm (20nm Spacing)
Additional Ports	None, 1310nm Port, Upgrade Port
Fiber Type	None, 250um bare fiber, 0.9mm loose tube, 2.0mm loose tube
Fiber Length	1.0m, 1.5m, 2.0m, 2.5m, ...
Connector Type	None, LC/UPC, LC/APC, SC/UPC, SC/APC, FC/UPC, FC/APC